



08T



08G



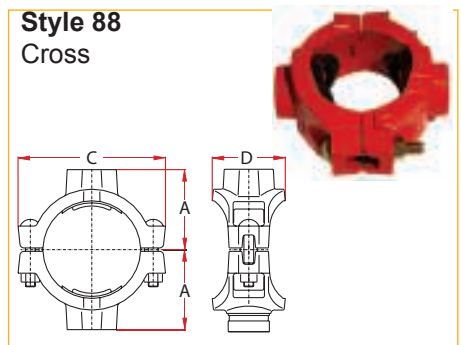
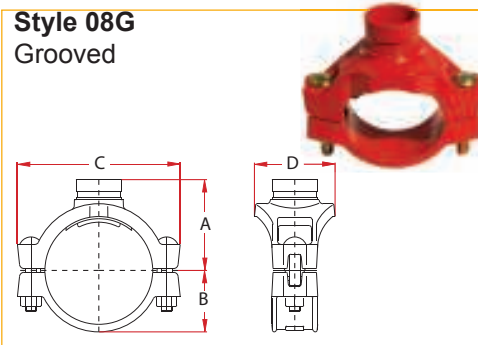
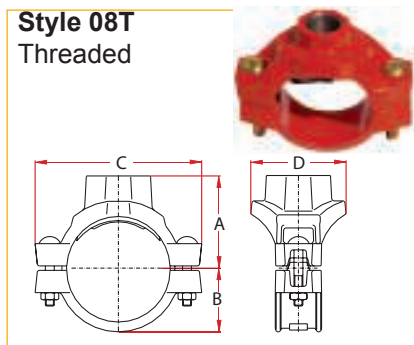
88



99

### Style 08T, 08G, 88

Quik-T™



#### ■ Quik-T™

- Quik-T™ Style 08, is a bolted mechanical reduced branch connection of Tee or Cross configuration that eases work and can be economically installed without welding in both standards and lightweight. Cross-fitting can conveniently be formed by combining two equal-sized upper casings of Quik-T™, having either the same, or different, branch-connection sizes.
- Maximum working pressure: 20 bar. For fire protection equipment and approved pressure ratings please contact Modgal.

#### ■ Quik-T™

- QUIK-T™ Typ 08 ist eine mit Schrauben befestigte mechanische Anbohrschelle in T- oder Kreuzform, die die Arbeit erleichtert und auf wirtschaftliche Weise ohne Schweißen sowohl in Standard- als auch in Leichtrohren installiert werden kann. Eine Kreuzverbindung kann bequem durch die Kombination zweier gleich großer QUIK-T™ Oberteile gebildet werden, die entweder dieselbe oder verschiedene Abgangsgrößen besitzen.
- Maximaler Betriebsdruck: 20 bar. Die Brandschutzzulassungen und die Zulassungs-Nennrücke erhalten Sie bei Modgal

#### ■ Quik-T™

- Quik-T™ Stijl 08, biedt een mechanische reduceer uitgang in T- of Kruis-configuratie welke gemakkelijk en snel kan worden geïnstalleerd zonder laswerkzaamheden in zowel gegroefde als draad uitvoering. De Kruis-configuratie kan worden bewerkstelligd door gebruik van twee gelijke bovendelen van de Quik-T™, voorzien van gelijke of verschillende uitgangen.
- Maximale werkdruk: 20 bar. Contacteer Modgal voor toegelaten drukklassen voor brandbeveiligingstoepassingen.

Nominal Size (Inches / DN)	Pipe Outside	Outlet	Quik-T Dimensions							Hole Dia. Tol. + 3.2	Bolts			Weight Kg.	Approvals
			Run	Outlet	Diam.	Size	Type	A			B	C	D		
2 X 50	60.3	1/2" / 15	21.3	T	58.0	-	43.0	135.0	76.0	38.1	2	M10	57.0	1.00	FM / UL / LPCB / VDS
		3/4" / 20	26.9	T	58.0	-	43.0	135.0	76.0	38.1	2	M10	57.0	1.15	FM / UL / LPCB / VDS
		1" / 25	33.7	T	65.5	-	43.0	135.0	76.0	38.1	2	M10	57.0	1.30	FM / UL / LPCB / VDS
		1 1/4" / 32	42.4	T or G	69.5	76.5	43.0	135.0	82.0	44.5	2	M10	57.0	1.50	FM / UL / LPCB / VDS
		1 1/2" / 40	48.3	T or G	69.5	76.5	43.0	135.0	82.0	44.5	2	M10	57.0	1.50	FM / UL / LPCB / VDS
2 1/2" / 65	76.1	1/2" / 15	21.3	T	67.0	-	48.0	150.0	92.0	38.1	2	M12	76.0	1.60	FM / UL / LPCB / VDS
		3/4" / 20	26.9	T	69.0	-	48.0	150.0	92.0	38.1	2	M12	76.0	1.70	FM / UL / LPCB / VDS
		1" / 25	33.7	T	72.0	-	48.0	150.0	92.0	38.1	2	M12	76.0	1.90	FM / UL / LPCB / VDS
		1 1/4" / 32	42.4	T or G	76.0	82.0	48.0	150.0	92.0	50.8	2	M12	76.0	1.82	FM / UL / LPCB / VDS
		1 1/2" / 40	48.3	T or G	76.0	82.0	48.0	150.0	92.0	50.8	2	M12	76.0	1.82	FM / UL / LPCB / VDS
3 X 80	88.9	1/2" / 15	21.3	T	70.5	-	56.5	160.0	80.0	38.1	2	M12	76.0	2.10	FM / UL / LPCB / VDS
		3/4" / 20	26.9	T	75.5	-	56.5	160.0	80.0	38.1	2	M12	76.0	2.20	FM / UL / LPCB / VDS
		1" / 25	33.7	T	77.0	-	56.5	160.0	80.0	38.1	2	M12	76.0	1.95	FM / UL / LPCB / VDS
		1 1/4" / 32	42.4	T or G	87.0	94.5	56.5	160.0	95.0	50.8	2	M12	76.0	2.33	FM / UL / LPCB / VDS
		1 1/2" / 40	48.3	T or G	87.0	94.5	56.5	160.0	95.0	50.8	2	M12	76.0	2.33	FM / UL / LPCB / VDS
		2" / 50	60.3	T or G	90.0	92.5	56.5	160.0	105.0	63.5	2	M12	76.0	2.45	FM / UL / LPCB / VDS
4 1/4 O.D. X 100	114.3	1 1/2" / 40	48.3	T	102.0	-	66.0	181.0	96.0	50.8	2	M12	76.0	2.23	-
1/2" / 15		21.3	T	87.0	-	69.0	187.0	96.0	38.1	2	M12	76.0	1.95	LPCB / VDS	
3/4" / 20		26.9	T	89.0	-	69.0	187.0	96.0	38.1	2	M12	76.0	2.00	LPCB / VDS	
1" / 25		33.7	T	92.0	-	69.0	187.0	96.0	38.1	2	M12	76.0	2.10	LPCB / VDS	
1 1/4" / 32		42.4	T or G	104.0	104.0	69.0	187.0	96.0	50.8	2	M12	76.0	2.27	FM / UL / LPCB / VDS	
1 1/2" / 40		48.3	T or G	104.0	104.0	69.0	187.0	96.0	50.8	2	M12	76.0	2.37	FM / UL / LPCB / VDS	
2" / 50		60.3	T or G	104.0	104.0	69.0	187.0	107.0	63.5	2	M12	76.0	2.51	FM / UL / LPCB / VDS	
2 1/2" / 65		76.1	T or G	112.0	104.0	69.0	187.0	108.0	69.8	2	M12	76.0	2.70	FM / UL / LPCB / VDS	
3" / 80	88.9	T or G	112.0	113.0	69.0	187.0	130.0	88.9	2	M12	76.0	3.40	FM / UL / VDS		

▶ Note: T = Threaded - Gewinde - Draad (BSP) / G = Grooved - Gerieft - Gegroefd



08T



08G



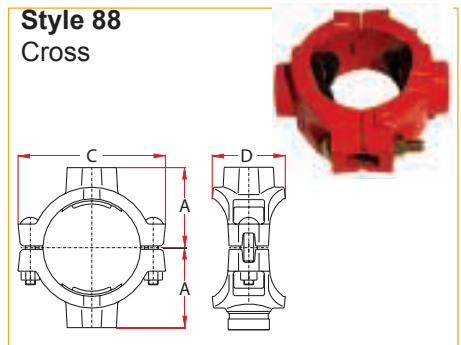
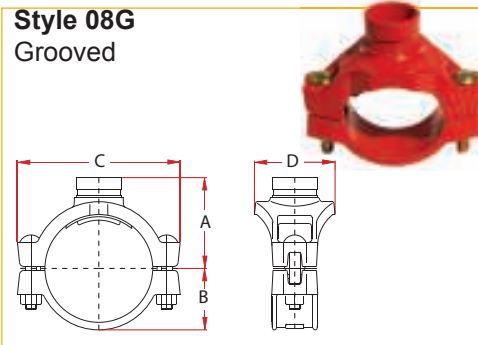
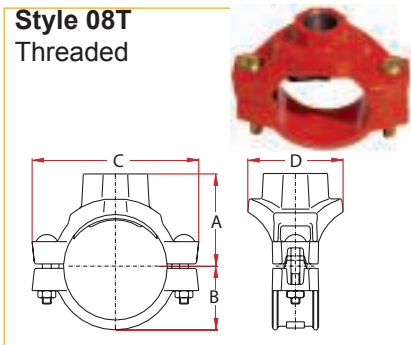
88



99

### Style 08T, 08G, 88

Quik-T™



Nominal Size (Inches / DN)	Pipe Outside Diam.	Outlet		Quik-T Dimensions						Hole Dia. Tol. + 3.2	Bolts			Weight Kg.	Approvals
				A		B	C	D	No.		Size	Length			
Run	Outlet	Size	Type	Thd.	Grv.										
5" / 125	1 1/2" / 40	1 1/4" / 32	T or G	118.5	120.5	81.5	216.0	100.0	50.8	2	M16	89.0	3.30	FM / UL / LPCB / VDS	
		1 1/2" / 40	T or G	118.5	120.5	81.5	216.0	100.0	50.8	2	M16	89.0	3.25	FM / UL / VDS	
		2" / 50	T or G	120.5	120.5	81.5	216.0	107.0	63.5	2	M16	89.0	3.45	FM / UL / VDS	
		2 1/2" / 65	G	-	120.5	81.5	216.0	107.0	69.8	2	M16	90.0	3.70	FM / VDS	
6" OD / 150 OD	1 1/2" / 40	T		126.0	-	90.5	238.0	96.0	50.8	2	M16	120.0	3.40	-	
6" OD / 150 OD	1 1/2" / 40	1 1/4" / 32	T or G	130.0	130.0	93.0	245.0	96.0	50.8	2	M16	120.0	3.95	FM / UL / LPCB	
		1 1/2" / 40	T or G	130.0	130.5	93.0	245.0	96.0	50.8	2	M16	120.0	3.72	FM / UL / LPCB	
		2" / 50	T or G	129.0	131.5	93.0	245.0	107.0	63.5	2	M16	120.0	3.86	FM / UL / LPCB	
		2 1/2" / 65	T or G	139.0	131.0	93.0	245.0	117.0	69.8	2	M16	120.0	4.40	FM / UL / LPCB	
		3" / 80	T or G	136.0	137.0	93.0	245.0	149.0	88.9	2	M16	120.0	4.80	FM / UL / LPCB	
6" / 150	1 1/2" / 40	1 1/4" / 32	T or G	133.0	133.0	95.0	247.0	96.0	50.8	2	M16	120.0	3.95	FM / UL / LPCB / VDS	
		1 1/2" / 40	T or G	133.0	130.5	95.0	247.0	96.0	50.8	2	M16	120.0	3.72	FM / UL / LPCB / VDS	
		2" / 50	T or G	130.0	131.5	95.0	247.0	107.0	63.5	2	M16	120.0	3.86	FM / UL / LPCB / VDS	
		2 1/2" / 65	T or G	140.5	132.5	95.0	247.0	117.0	69.8	2	M16	120.0	4.00	FM / UL / LPCB / VDS	
		3" / 80	T or G	137.5	138.5	95.0	247.0	140.0	88.9	2	M16	120.0	5.20	FM / UL / VDS	
8" / 200	4" / 100	1 1/2" / 40	T or G	143.0	144.0	95.0	247.0	168.0	114.3	2	M16	120.0	6.90	FM / UL / LPCB / VDS	
		3" / 80	T or G	163.0	164.0	124.0	320.0	136.5	88.9	2	M20	120.0	6.73	VDS	
		4" / 100	T or G	163.0	164.0	124.0	320.0	164.0	114.3	2	M20	120.0	7.75	VDS	

► Note: T = Threaded - Gewinde - Draad (BSP) / G = Grooved - Gerieft - Gegroefd

► Notes:

- Always read and understand the installation instructions. Rubber gaskets have to be greased with Quikcoup® Lubricant Type 27-A on inside and outside before installation.

► Anmerkungen:

- Bitte beachten Sie die Hinweiser der jeweils gültigen Installationshinweise. Gummi Dichtungen müssen vor der Montage, in geeigneter Weise, auf der Außen- und Innenseite mit dem QUIKCOUP® Gleitmittel Typ A-27 eingestrichen werden.

► Opmerkingen:

- Lees altijd de installatie instructies en zorg dat u deze heeft begrepen. Rubber dichtingen dienen voor installatie van voldoende Quikcoup® Lubricant Type 27-A te worden voorzien aan binnen- en buitenzijde.