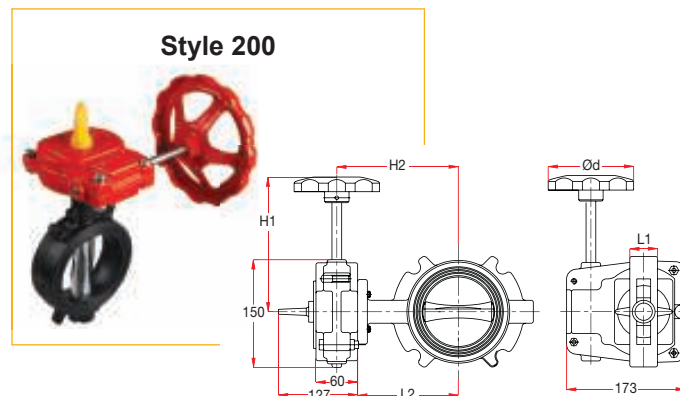
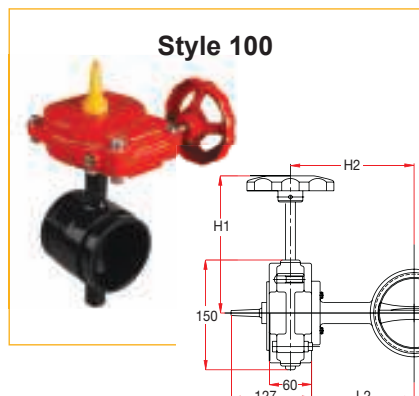




Style 100,200



■ Style 100: Grooved End Butterfly

- Specifications:
 - Size: DN65(2½") - DN300(12")
 - Working Press.: 16 Bar / 300 psi
 - Max. Test Press.: 24 Bar / 350 psi
 - Working Temp.: Up to 90° Celsius
- Material:
 - Body: Ductile Iron ASTM A536, Nylon-11 Coated
 - Disc: Ductile Iron ASTM A536, Stainless steel AISI 304, Aluminum bronze ASTM B148, Red brass ASTM B124, EPDM coated
 - Stem: Stainless steel AISI 410, Hardened & Tempered

■ Style 100: Geriefte Drosselklappen

- Technische Daten:
 - Nennweite : DN65(2½") - DN300(12")
 - Arbeitsdruck : 16 Bar / 300 psi
 - Max. Druckprüfung: 24 Bar / 350 psi
 - Betriebstemp.: Bis max. 90°C
- Werkstoffe:
 - Gehäuse: Ductile Iron ASTM A536, Nylon-11 Coated
 - Scheibe: Ductile Iron ASTM A536, Al. Messing ASTM B148, Gusseisen ASTM B124, EPDM beschichtet
 - Stamm: Gehärtete Edelstahl AISI 410

■ Style 100: Gegroefde Vlinderkleppen

- Specificaties:
 - Maat: DN65(2½") - DN300(12")
 - Werkdruk: 16 Bar / 300 psi
 - Max. Testdruk: 24 Bar / 350 psi
 - Temperatuurbereik: tot max. 90° Celsius
- Materiaal:
 - Carrosserie: Ductile Iron ASTM A536, Nylon-11 Coated
 - Schijf: Ductile Iron ASTM A536, Roestvrij staal AISI 304, Aluminum brons ASTM B148, Red brass ASTM B124, EPDM ingekapseld
 - Steel: Gehard roestvrij staal AISI 410

■ Style 200: Wafer Butterfly

- Specifications:
 - Size: DN65(2½") - DN200(8")
 - Working Press.: 16 Bar / 300 psi
 - Max. Test Press.: 24 Bar / 350 psi
 - Working Temp.: Up to 90° Celsius
- Material:
 - Body: Ductile Iron ASTM A536, Nylon-11 Coated
 - Disc: Ductile Iron ASTM A536, Stainless steel AISI 304, Aluminum bronze ASTM B148, Red brass ASTM B124, Nickel coated
 - Stem: Stainless steel AISI 410, Hardened & Tempered

■ Style 200: Zwischenflansch Drosselklappen

- Technische Daten:
 - Nennweite : DN65(2½") - DN200(8")
 - Arbeitsdruck : 175 psi. (12 bar)
 - Max. Druckprüfung: 350 psi. (24 bar)
 - Betriebstemp.: bis max. 90°C
- Werkstoffe:
 - Gehäuse: Ductile Iron ASTM A536, Nylon-11 Coated
 - Scheibe: Ductile Iron ASTM A536, Al. Messing ASTM B148, Gusseisen ASTM B124, Nickel beschichtet
 - Stamm: Gehärtete Edelstahl AISI 410

■ Style 200: Wafel Vlinderkleppen

- Specificaties:
 - Maat: DN65(2½") - DN200(8")
 - Werkdruk: 16 Bar / 300 psi
 - Max. Testdruk: 24 Bar / 350 psi
 - Temperatuurbereik: tot max. 90° Celsius
- Materiaal:
 - Carrosserie: Ductile Iron ASTM A536, Nylon-11 Coated
 - Schijf: Ductile Iron ASTM A536, Roestvrij staal AISI 304, Aluminum brons ASTM B148, Red brass ASTM B124, Nikkel ingekapseld
 - Steel: Gehard roestvrij staal AISI 410

Style	Nominal Size (Inches)	Pipe Outside Diam.	Dimensions					P.C.D	Weight Kg.	Approvals
			L1	L2	H1	H2	d			
Grooved End Gerieft Gegroefd	2½" / 65	76.1	96.4	105	135	135	125	-	8.2	UL / VDS
	3" / 80	88.9	96.4	112	135	142	125	-	9.0	UL / VDS
	4" / 100	114.3	115.4	145	135	175	125	-	10.7	UL / VDS
	5" / 125	139.7	132.4	166	193	189	225	-	14.0	VDS
	6" OD / 150 OD	165.1	132.4	179	193	209	225	-	15.2	VDS
	6" / 150	168.3	132.4	179	193	209	225	-	15.2	UL / VDS
	8" / 200	219.1	147.4	204	193	234	225	-	20.4	UL / VDS
	10" / 250	273.0	159.0	250	208	282	250	-	34.0	VDS
12" / 300	323.9	165.0	278	208	310	250	-	39.0	VDS	
Wafer Zwischenflansch Wafel	2½" / 65	76.1	49.0	135	135	150	125	139.5	8.2	UL / VDS
	3" / 80	88.9	49.0	135	135	157	125	152.5	9.0	UL / VDS
	4" / 100	114.3	55.0	135	135	175	125	180.5	10.7	UL / VDS
	5" / 125	139.7	59.0	181	181	173	225	216.0	14.0	VDS
	6" D / 150 D	165.1	59.0	193	193	210	225	241.0	15.2	VDS
	6" / 150	168.3	59.0	193	193	210	225	241.0	15.2	UL / VDS
	8" / 200	219.1	63.0	193	193	234	225	298.5	20.4	UL / VDS